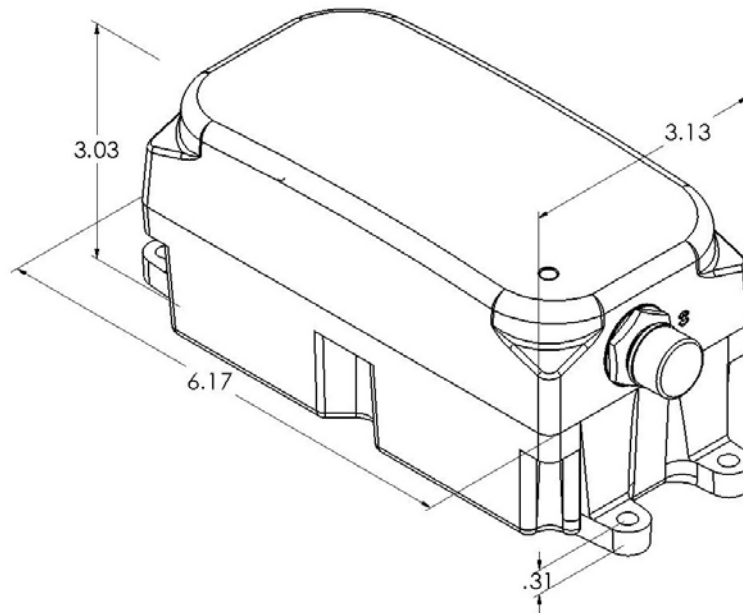


# IONEARTH TRACKER MOUNTING INSTRUCTIONS

- The IonEarth tracker can be mounted on a sailboat in a variety of ways; the most common is to adhere it to the boat deck utilizing the high performance double stick tape already applied to the bottom of the unit. Choose a location on your boat where the tracker will have a relatively unobstructed view of the sky and where crew activity and rigging are at a minimum. Locations at the stern are particularly good, although hatch covers and out of the way locations around the companionway work well too. In order to ensure a reliable mount, it is important to dry and clean the surface the tracker is being adhered to and to avoid non-skid decking.



- Alternatively, the IonEarth tracker can be mounted using the four screw eyes located at either end of the unit. In either mounting configuration it is important to orient the curved top surface of the tracker towards the sky. A 30 inch lanyard is also provided as a secondary means of attachment. IonEarth trackers are watertight, battery powered, weigh 30oz. and are supplied preprogrammed to start transmitting at least 48 hours prior to the start of the race.

